

Edition 2016

INTRINSICALLY SAFE TEMPERATURE SENSORS

for mines M1, gas G and dust D atmospheres

ATEX Marking:

CE I M1 Ex ia I Ma
CE II 1/2 G Ex ia II C T... Ga/Gb
CE II 1/2 D Ex ia IIIC T... Da/Db

EAC Ex Marking:

PO Ex ia I Ma X
0Ex ia IIC T..Ga X
0Ex ia IIIC T..Da X



TECHNICAL DATA

Description

- intrinsically safe for mines M1, gas G and dust D atmospheres
- single and double RTD
- exchangeable mineral insulated measuring insert
- connection head types: XE-DANA (**G1**); XE-DANAW (**G2**); XE-DAND (**G5**); XE-DANDW (**G6**); XE-BE (**E1**); XE-BED (**E2**); IP65 ; ATEX II 2 GD (see technical information)
- installation in additional thermowell
- cable gland ATEX I M1, II GD, IP65; (cable dia. 5..10mm)*
- output signal: RTD or 4-20mA (option)

Design temperature range

-200 .. +550°C

Sensing element

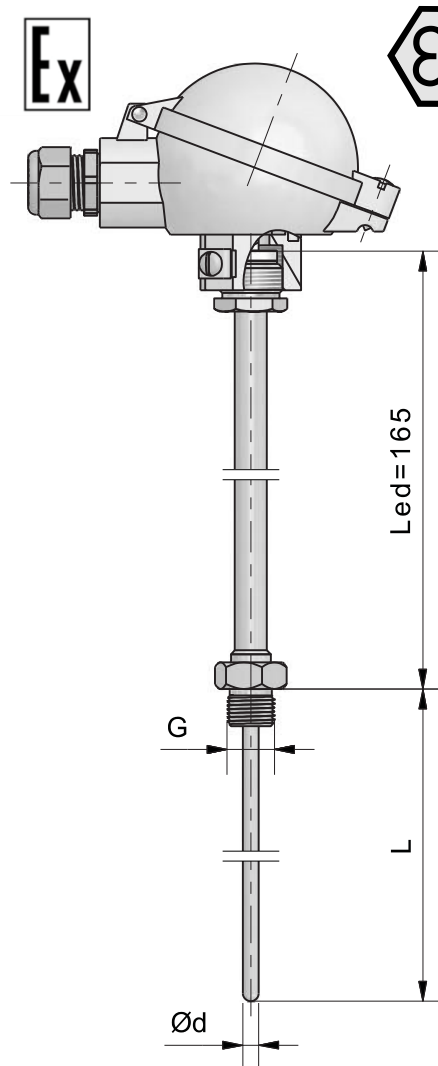
1x or 2xPt100 acc. to EN 60751 class A, B

Temperature transmitter (option)

PR5333D, PR5335D (HART®), PR5350B (Profibus®PA), FlexTop2211, FlexTop2221 (HART®), FlexTop2231 (Profibus®PA), dTRANS T01 956555, dTRANS T01 956556 (HART®)

Remarks

*other parameters on request



ORDERING CODE

Temperature sensor **XI** - [] [] **TOP** [] - [] - [] / [] - [] - [] - [] - [] - [] - []

without transmitter: **without mark**

with transmitter: **AP**

with two transmitters: **2AP**

single: **without mark**

double: **2**

diameter d: Ø3[mm] – **WS1**, Ø6[mm] – **WS2**

connection head type: **G1, G2, G5, G6, E1, E2**

length L [mm]: **see specification**

length Led [mm]: **165** (without mark), **250, 80** or other*

thread G: **M12x1.5, M14x1.5, M18x1.5, M20x1.5, G1/2, 1/2NPT** or other*

RTD class: **A, B**

connection line: **2-, 3-, 4-wire** for 1xPt100; **2-, 3-wire** for 2xPt100

measuring range for transmitter output 4-20 mA: **(...)**°C

transmitter type **(see specification)**

diameter of supply cable (for cable other than) 5..10mm **(...)**

EXAMPLE:

Temperature sensor XI-TOPWS1-G1-200-1/2NPT-A-3

Temperature sensor XI-APTOWS2-G2-400/250-M20x1.5-A-3-(0-200)°C-PR5333D