

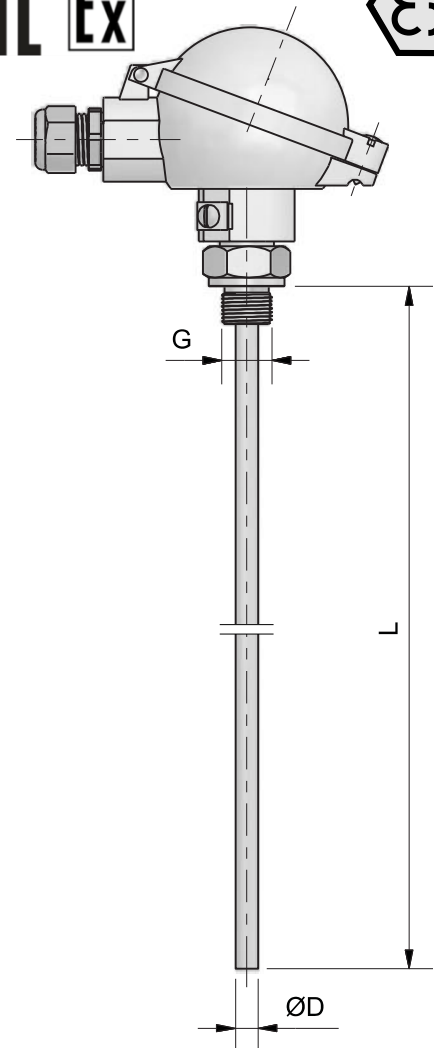
ATEX Marking:

CE Ex I M1 Ex ia I Ma
CE Ex II 1/2 G Ex ia II C T... Ga/Gb
CE Ex II 1/2 D Ex ia II C T... Da/Db

EAC Ex Marking:

PO Ex ia I Ma X
0Ex ia IIC T..Ga X
0Ex ia IIC T..Da X

for mines M1, gas G and dust D atmospheres



TECHNICAL DATA

Description

- intrinsically safe for mines M1, gas G and dust D atmospheres
- single and double RTD
- exchangeable mineral insulated measuring insert
- connection head types: XE-DANA (G1); XE-DANAW (G2); XE-DAND (G5); XE-DANDW (G6); XE-BE (E1); XE-BED (E2); IP65 ; ATEX II 2 GD (see technical information)
- process connection: M20x1.5 or G1/2" welded-in to the thermowell*
- cable gland ATEX I M1, II GD, IP65; (cable dia. 5..10mm)*
- output signal: RTD or 4-20mA (option)

Design temperature range

-200 .. +150°C

Sensing element

1x or 2xPt100 acc. to EN 60751 class A, B

Thermowell type „GB”

Material stainless steel 1.4541*
Diameter D [mm] Ø9, Ø11, Ø12, Ø15 or other*
Length L [mm] 100, 160, 200, 250, 400, 500 or other*

Temperature transmitter (option)

PR5333D, PR5335D (HART®), PR5350B (Profibus®PA), FlexTop2211, FlexTop2221 (HART®), FlexTop2231 (Profibus®PA), dTRANS T01 956555, dTRANS T01 956556 (HART®)

Remarks

*other parameters on request

ORDERING CODE

Temperature sensor	XI -			TOPGB -																
without transmitter:	without mark																			
with transmitter:	AP																			
with two transmitters:	2AP																			
single:	without mark																			
double:	2																			
connection head type:	G1, G2, G5, G6, E1, E2																			
length L [mm]:	100, 160, 250, 400, 500 or other*																			
diameter D [mm]:	9, 11, 12, 15 or other*																			
thread G:	M20x1.5; G1/2 or other																			
RTD class:	A, B																			
connection line:	2-, 3-, 4-wire for 1xPt100; 2-, 3-wire for 2xPt100																			
measuring range for transmitter output 4-20 mA:	(...)°C																			
transmitter type (see specification)																				
diameter of supply (for cable other than) 5..10mm (...)																				

EXAMPLE:

Temperature sensor XI-TOPGB-G1-160-9-G1/2-A-4
Temperature sensor XI-APTOPGB-G2-250-12-M20x1.5-A-3-(0-50)°C-PR5333D