

Also available in Exi version according to ATEX, IECEx, EAC Ex



### Description

- Single and double RTD
- Version with additional thermowell (TOPE3) or without thermowell (TOPE4)

### Temperature range

- |               |                                 |
|---------------|---------------------------------|
| -10 .. +105°C | - with cable in PVC             |
| -50 .. +180°C | - with cable in silicone rubber |
| -50 .. +260°C | - with cable in teflon® PFA     |
| -50 .. +400°C | - with cable in fiberglass      |

### Sensing element

1x or 2xPt100 \* Class A or B, acc. to PN-EN 60751

### Thermowell

Material	- stainless steel 1.4541**
Diameter [mm]	- Ø10
Length L [mm]	- custom

### Bayonet cap

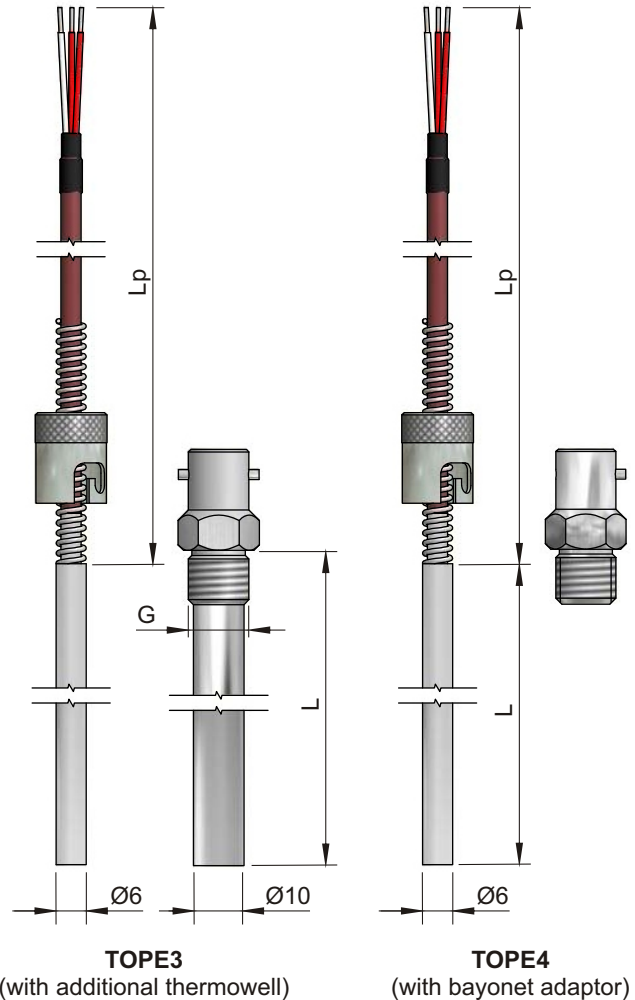
Diameter d [mm] Ø12

### Connection cable ( specification )\*\*\*

JJ	- PVC / PVC (up to +105°C)
SLSL	- silicone / silicone (up to +180°C)
TSL	- teflon® / silicone (up to +180°C)
TPSL	- teflon® / Cu braid / silicone (up to +180°C)
TT	- teflon® PFA / teflon® PFA (up to +260 °C)
TP	- teflon® PFA / steel braid (up to +260 °C)
TCuT	- teflon® PFA / Cu braid / teflon® PFA (up to +260 °C)
GLGLP	- fiberglass / fiberglass / steel braid (up to +400°C)

### Remarks

\* Pt500, Pt1000, Ni100, Ni1000  
 \*\* other parameters upon request  
 \*\*\* acc. to the specification



**TOPE3** (with additional thermowell)      **TOPE4** (with bayonet adaptor)

### Ordering code:

Temperature sensor **TOPE** [ ] - [ ] - [ ] - [ ] - [ ] / [ ] - [ ] - [ ]  
 version: 3 (with thermowell), 4 (without thermowell)  
 sensing element: 1xPt100, 2xPt100, 1xPt500, 1xPt1000 or other\*  
 length L [mm]: custom  
 cable length Lp [mm]: custom  
 RTD class: A, B  
 connection line: 2-, 3-, 4-wire for 1xPt100; 2-, 3-wire for 2xPt100  
 cable insulation (see specification)\*\*\*  
 process connection: M14x1.5, G1/4 or other\*\*

### Example: Temperature sensor TOPE3-1xPt100-115-2500-A/4p.-M14x1.5-TSL

Sensor 1xPt100, thermowell diameter Ø10 mm, length L=115 mm, cable length Lp=2500 mm, class A 4-wire, process connection M14x1.5, cable in teflon®/silicone insulation.